



STREET SCENE EQUIPMENT, INC.

365 McCormick Avenue

Costa Mesa, Ca. 92626

Phone (714) 426-0590 Fax (714) 426-0591

INSTALLATION INSTRUCTIONS

950-76605 BLACK CHROME

&

950-77605 SATIN FINISH

&

950-78605 CHROME FINISH

SPEED GRILLE

2000 - 2002

DODGE DAKOTA

&

DODGE DURANGO

VERY IMPORTANT ! Read and understand all directions and check the following parts list before starting installation.

Removing the stock mesh grille from the grille shell is recommended, but not required. See step 4 A

PARTS LIST

4	Speed Grille Section	1	Instruction Sheet	24	Attaching Clips # 71098
1	Black Nylon Spacer	1	Street Scene Emblem	8	# 8 Flat Washers
4	# 8/32 X 3/4 Bolts	4	# 8/32 Nylock Nuts	1	Hood Latch Cable
3	9/16 Tubing Clamps	3	3/16 Cable Clamps		

TOOL LIST

Safety glasses, 8 mm socket, 5/16 wrench, phillips screwdriver, Drill Motor, 5/32 Drill Bit, A Grinder, Dremel	
Tool, File, Etc, to remove the mesh grille or notch the mesh grille flange (See Step 4 A).	

1. Before beginning installation be sure to wear proper eye protection.
2. Remove the grille shell from the vehicle. Open the hood and remove the fasteners from the back of the shell with a 8 mm wrench.
3. Remove the "Speed Grille" from it's package.
4. You can either: A. Remove the stock mesh grille (recommended), or B. Leave it in place.
 - A. To remove the stock mesh grille, lay the grille shell face down on a surface that won't damage it (cloth, newspapers, etc.). Remove the ends of the plastic rivets that retain the mesh grille by grinding or filing.
 - B. If the stock mesh grille is left in place, you must cut , grind or file notches in the flat plastic flange between the vertical bars so the Speed Grille Retaining Clips can be installed. There are four grille segments. In each segment, you need three clips and notches for them on the top & three on the bottom. One notch should be at the center and the outboard notches should be within two or three inches from the ends.
5. Each Speed Grille section is labeled for a grille opening. Install them one at a time from the front, then secure each sections with six clips. The clips install from the back of the grille with the raised side facing inward so it clears the vertical lip. If the stock mesh grille is in place, make sure the Speed Grille sections bottom against it. If the stock mesh grille bars have been removed, position the Speed Grille sections so the lowest point matches the bottom flange of the grille shell.
6. Reinstall the grille shell on the vehicle with the stock fasteners. **Don't close th hood until the Remote Hood Latch Cable is installed.** The latch can be operated with a screwdriver as an emergency backup.

THE SPEED GRILLE™ may be covered by one or more of the following U.S. Patents: D427,119,D425,834,D421,585,D420,961,D420,960,D420,959, and D420,958 may be covered by one or more pending U.S. Patent applications.

7. Remove the two bolts securing the hood latch to the hood and remove the latch. Refer to illustration " A ", and drill a 5/32 hole, where marked. Re-install hood latch to hood.

ILLUSTRATION " A "

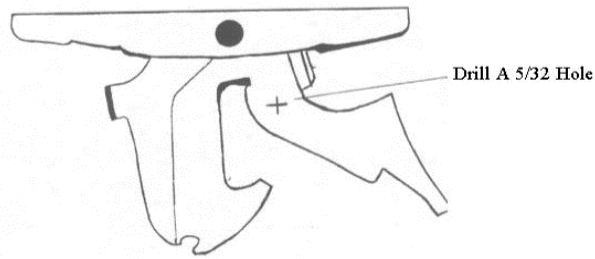
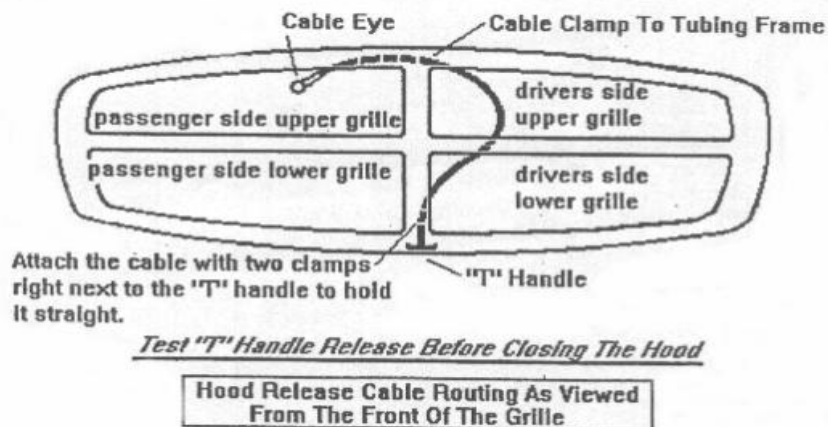


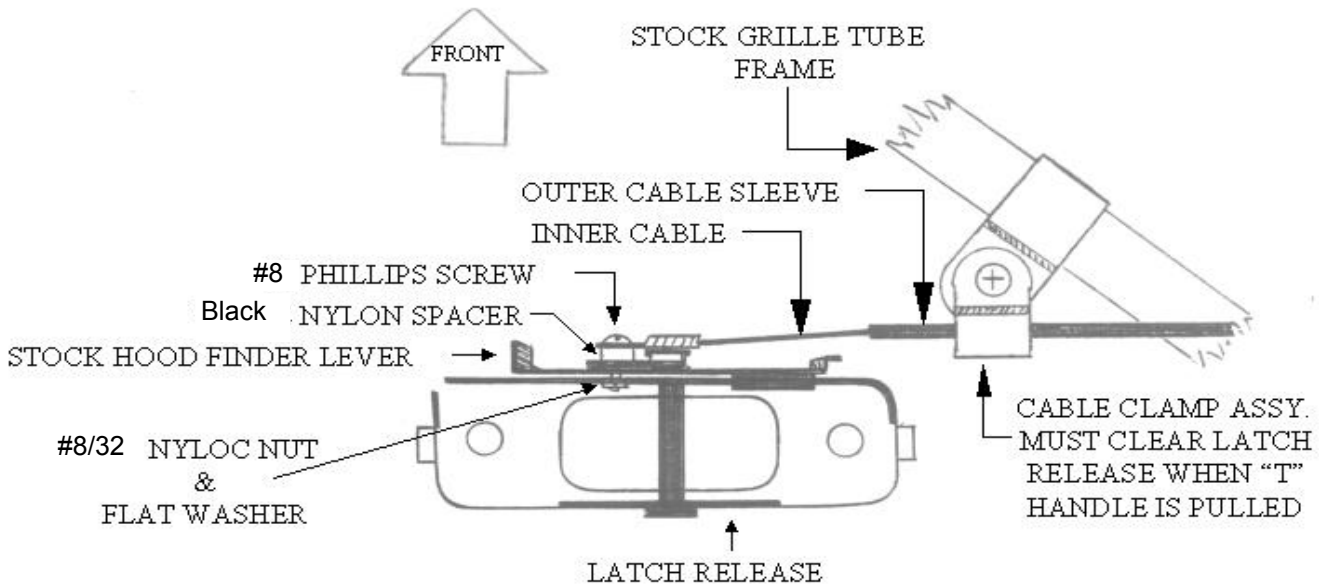
ILLUSTRATION " B "



8. Install the Remote Hood latch Cable assembly starting with the # 8 X 3/4 phillips head bolt thru the cable eye, then through the white nylon spacer, and then through the hole drilled into the hood release latch (See Illustration "A") Fasten with the 8/32 nylock nut and washer. Tighten the screw just enough so the cable end can move back and forth for ease of operation.

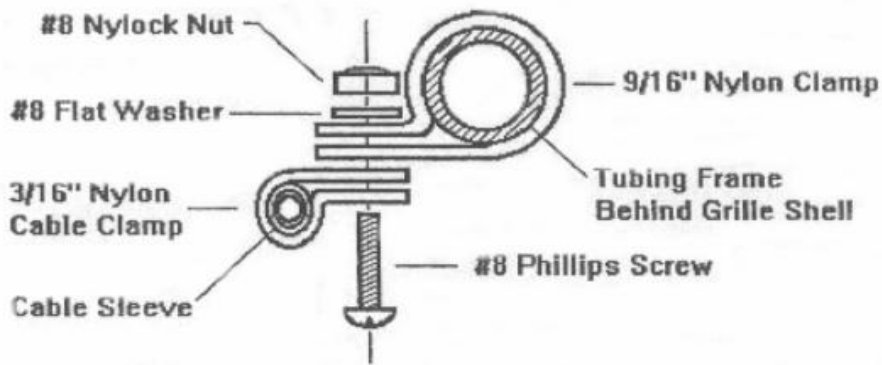
Route the cable as shown illustration B & C, then secure it in place to the tubing frame behind the grille with the nylon clamps as shown in illustration D. The " T " handle should be located at the bottom center of the grille so it's easily accessible when the hood is closed. The two bottom clamps should be located close to the " T " handle to keep it straight & stable. The " T " handle can be rotated straight by loosening the jam nut, rotating the handle, then holding the handle while tightening the jam nut. Before tightening the clamps, make sure the black outer part of the cable housing is slid down snugly against the " T " handle and there is no slack in the open end of the cable where it attaches to the latch. Test the operation of the " T " handle to make sure it operates the latch before closing the hood.

ILLUSTRATION " C "



SECONDARY HOOD LATCH ASSEMBLY VIEWED FROM THE BOTTOM

CABLE CLAMPING ASSEMBLY ILLUSTRATION "D"



To assemble, first snap the clamps over the cable & tubing. Squeeze the clamps together to insert the #8 screw. Route cable, then tighten.

